

Zbot: Redefining Robotics for Precision, Speed and Reach



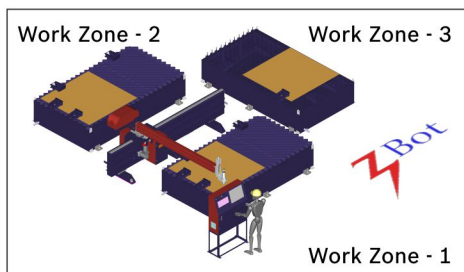
This ingenious innovation effectively rewrites 'efficiency-definition' and can be audaciously compared to 'reinventing the wheel' in the field of far heavier and more costly CNC / Robotic equipment.

Its unbeatable capabilities has a potential market in every corner of the world as it delivers far more cost efficiencies in multiple applications.

Some of the key features of Zbot precision system are as follows.

- **Precision:** ± 20 micron, Small Holes & Slots processing, Zero backlash.
- **High Speed:** Rapid speed upto 200 mtr/min enabling faster cycle time.
- **Reach :** Up to 3000 mm X 270 degree enabling multiple work zone.
- **“RoboSwift” :** Embedded intelligent Software.
- 3-click programming.
- Multiple Zbot on same track.
- **IOT** compatible.
- Patented Worldwide.

Applications



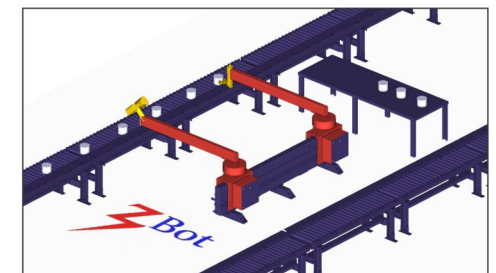
Multiple work Zone



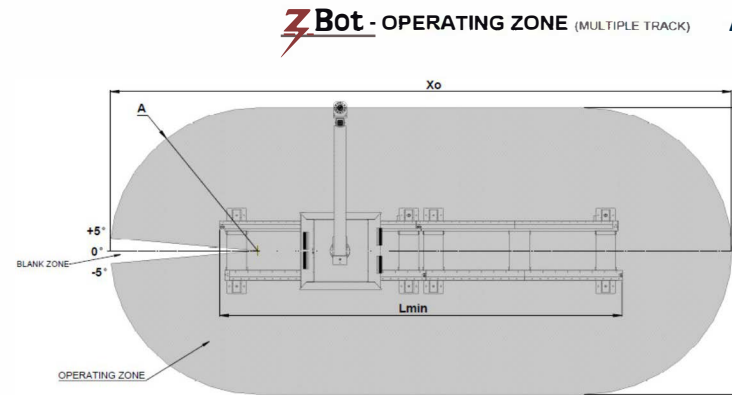
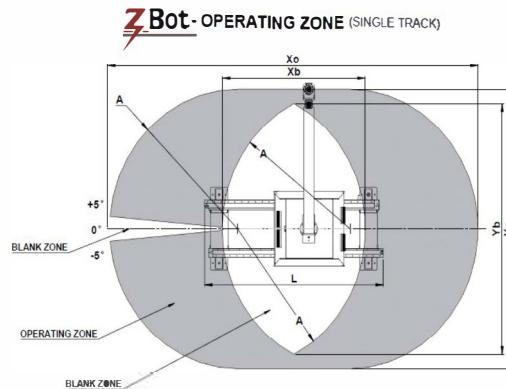
Laser cutting



Welding



Vision inspection



Zbot Precision System						
Description	Specifications					
Type	Precision (S)			Precision (S ²)		
Zbot Model	ZbP/20-1.5-50	ZbP/20-2.5-50	ZbP/20-3.0-50	ZbP/20-1.5-100	ZbP/20-2.5-100	ZbP/20-3.0-100
Min. Axis Configuration	min 3-Axis -Floor mounted			min 3-Axis - Floor mounted		
Application Examples	Plasma, Laser cutting, Marking, Welding, Vision Inspection					
Zbot Arm Reach	1500 mm	2500 mm	3000mm	1500 mm	2500 mm	3000mm
Linear Track Length	2000 mm	2000 mm	2000 mm	2000 mm	2000 mm	2000 mm
Zbot Work Zone / Envelop	Multiple / As per reach diagram					
Max Load Capacity	20 Kg					
Repeatability	± 20 micron					
Zbot Arm Motion Range	340 degree	340 degree	340 degree	340 degree	340 degree	340 degree
C - Axis Rapid Speed	50 mtr/min	50 mtr/min	50 mtr/min	100 mtr/min	100 mtr/min	100 mtr/min
Max TCP Speed	10 mtr/min	10 mtr/min	10 mtr/min	25 mtr/min	25 mtr/min	25 mtr/min
Z Axis Stroke	180 mm					
Programming Software	RoboSwift Plate Software					
Program Transfer	Ethernet / LAN / USB					
Optional -Linear Track	2.0 to 30.0 mtr	2.0 to 30.0 mtr	2.0 to 30.0 mtr	2.0 to 30.0 mtr	2.0 to 30.0 mtr	2.0 to 30.0 mtr
Additional Axis	As per application requirement					
Installation Enviroment :	Ambient temp: 10 to 45 degree, Humidity : Normal 75RH or less, Electricals Supply: 3 Ph, 360 - 460VAC, 50/60 Hz, Industrial Shed					
Note:	All specifications are subject to change without prior notice					

Bosch Rexroth (India) Pvt. Ltd.

**Ahmedabad
Bangalore**

Near Village Iyava, Sanand Viramgam Highway, Taluka Sanand, Ahmedabad - 382 170 Phone : +91 (O) 2717 678000
Survey No. 37/1, Nadakerappa Ind. Estate, Andrahalli, Bangalore - 560 001 Phone : +91 (O) 80 66087700
www.boschrexroth.co.in

Plazma Technologies Pvt. Ltd.

Pune

Office No.-202, 2nd Floor ANSEC House, Tank Road, Yashwant Nagar, Shanti Nagar, Vishrantwadi, Pune - 411 006.
Tel. : +91-20-40700400 • Email : marketing@plazmasolutions.com www.plazmasolutions.com